

Permanent ultrasonic flow meter

FLUXUS[®] WD

Non-invasive Water Flow and
Temperature Monitoring

Outstanding low flow accuracy
down to 0.01 m/s

Temperature measurement
accuracy of ± 0.2 K

Minimal installation costs and
zero pipe interference

Permanently drift-free and
no zero calibration needed

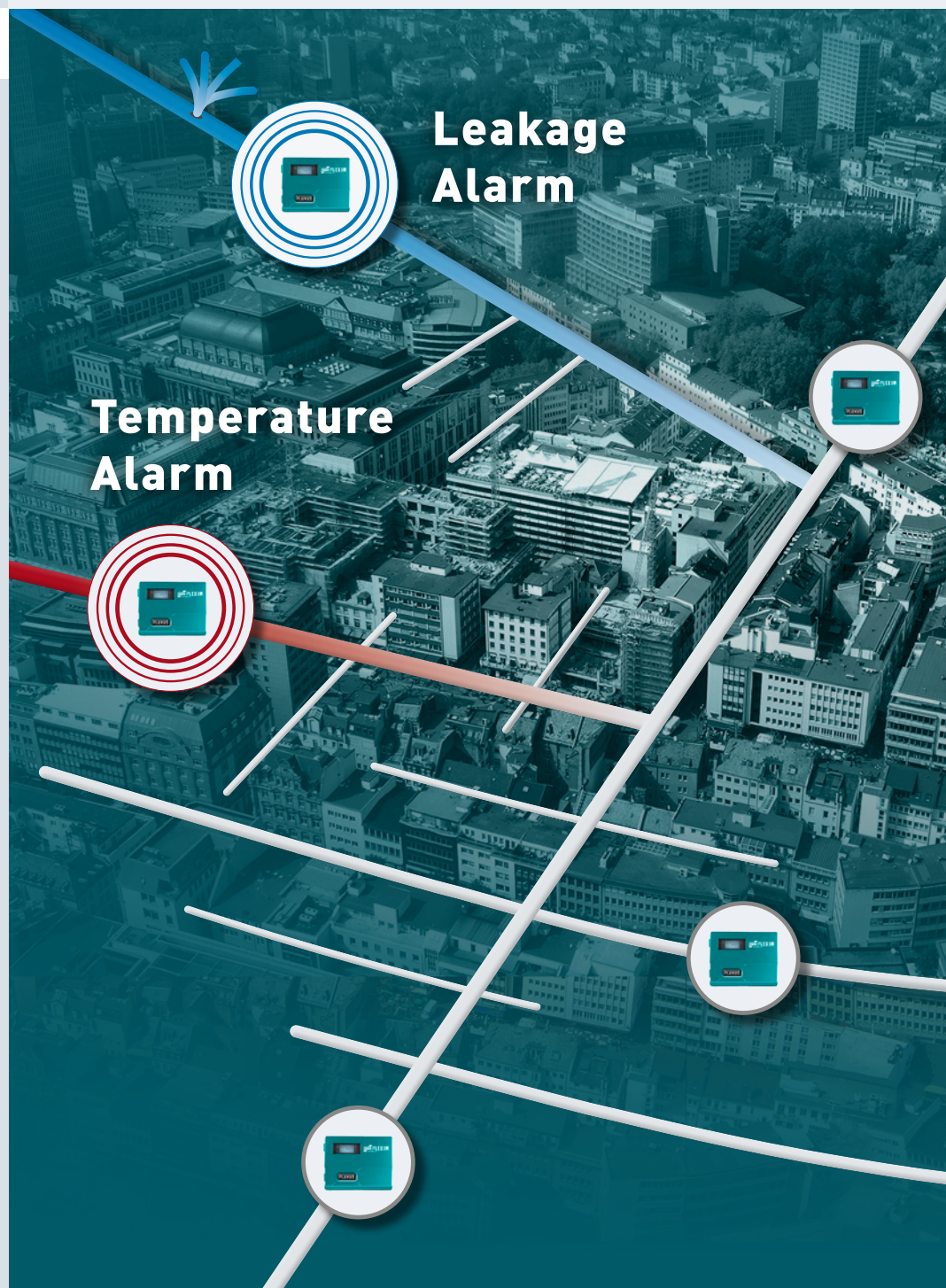
Temperature compensated
transducers

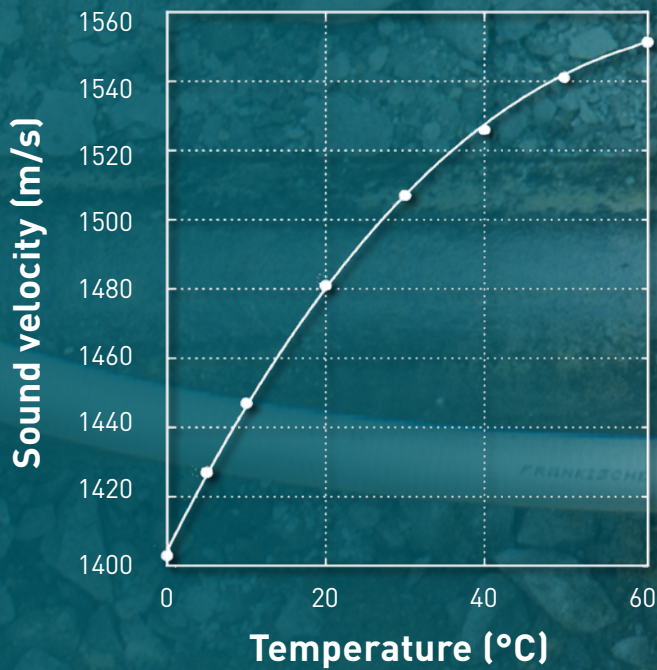
IP68 transducers

Permanent maintenance-free
coupling pads

Transducers can be buried
(no chamber required)

FLEXIM
when measuring matters





Drift-free flow measurement

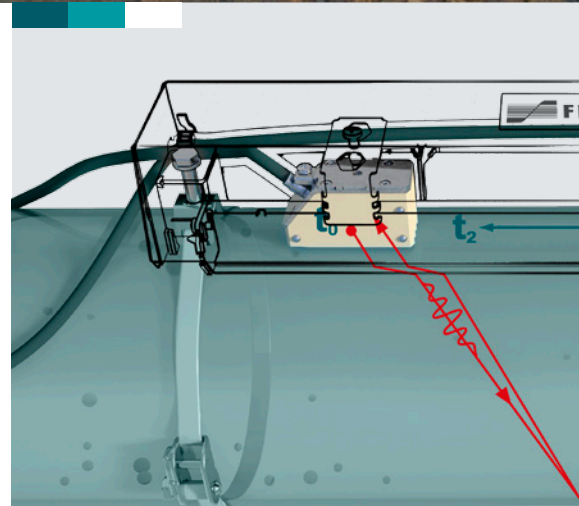
There is no method of zero drift correction for our instruments – because they just don't drift. This also applies to the WD Series that is **installed without zero calibration** and **remains drift-free, permanently**. FLEXIM is the only company that accomplishes this, thanks to its unique combination of matched piezo-transducers and advanced factory calibration.

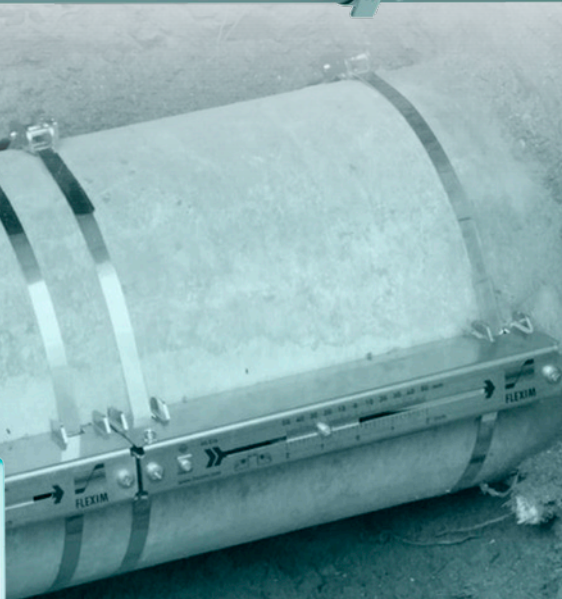
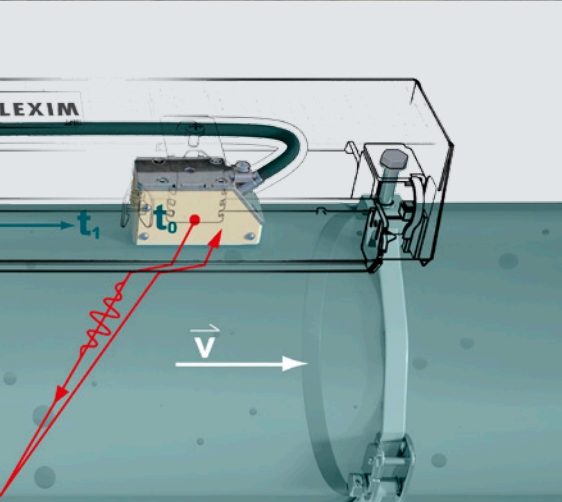
Outstanding low flow accuracy

The WD Series belongs to the most reliable and accurate ultrasonic clamp-on systems. Furthermore, it **measures flow rates as low as 0.01 m/s**. The inaccuracy of other meter technologies can increase so dramatically in the low flow range, that they are unsuitable for monitoring minimum night flows. But for water suppliers the **precise monitoring of minimum night flows** is an essential part of their leakage detection activities – and the WD Series is the ideal tool for this task.

Non-invasive temperature measurement

Bacterial growth increases in drinking water networks with increasing temperatures. Especially in parts of the network where flow velocities are low, leading to longer residence times, higher water temperatures represent a hygienic risk. The **technology leader FLEXIM** is the first to offer a precise **non-invasive temperature measurement** based on ultrasound technology. Now water suppliers can monitor volume flow, velocity, and temperature with one device.





Flow velocity	0.01 m/s
Temperature	12.4 °C
Flow rate	2.262 m ³ /h

Low installation costs

When creating a new flow measurement point the main costs are not incurred by the instrument but by the installation work (supply interruption, pipe cutting, pipe flushing, etc.). These costs are significantly reduced using the **clamp-on technology** of the WD Series that does not require any work that affects the integrity of the pipe. This enables a **very simple and cost-effective** installation of further flow measurement points within an existing water supply network.

Built to last

The WD Series comes with the **most robust mounting system** on the market. The transducers are fixed to the pipe with broad stainless steel straps and secured in robust stainless steel housings. The transducers themselves have **IP68 protection** and reinforced transducer cables. They are connected to the pipe with **permanent coupling pads, instead of coupling gel** that can deteriorate or be washed away. All this ensures the durability of the system and makes it **suitable for both installations in chambers and buried installations**.

Works on difficult pipes

The WD Series is available with three transducer types and is suitable for inner diameters ranging from 50 ... 6500 mm. The strong signal output and noise suppression technology make it possible to **use the WD Series on all pipe materials**, even on such challenging ones as fiber-reinforced plastic (FRP) pipes. The **outstanding performance** of FLEXIM is shown by thousands of references worldwide. Contact your local FLEXIM support office for more details.

FLEXIM

More than 25 years of experience
in non-invasive ultrasonic flow measurement



Technical Specifications

Volumetric flow rate uncertainty	$\pm 1\%$ of reading ± 0.005 m/s
Volumetric flow rate repeatability	0.15% of reading ± 0.005 m/s
Temperature reading uncertainty	± 0.2 K (fluid temperature 0 °C ... 30 °C)
Number of measuring channels	1 or 2
Power supply	100 ... 230 VAC, 24 VDC, 12 VDC
Transducer degree of protection	IP68 or IP67
Transducer for pipe sizes range	50 mm ... 6500 mm
Transducer for temperature range	-40 °C ... 130 °C
Outputs	4 - 20 mA active / passive 4 - 20 mA HART active / passive pulse / binary
Inputs	4 - 20 mA active / passive
Digital communication	Modbus RTU/TCP BACnet MSTP/IP M-Bus Profibus PA Foundation Fieldbus

For more detailed Information please download the Technical Specifications here: www.flexim.com.

FLEXIM GmbH, Germany
Phone: +49 30 93 66 76 60
info@flexim.de

FLEXIM Austria GmbH
Phone: +43 33 26 529 81
office@flexim.at

FLEXIM Instruments Benelux B.V.
Phone: +31 10 24 92 333
benelux@flexim.com

FLEXIM France SAS
Phone: +33 4 27 46 52 10
info@flexim.fr

FLEXIM Instruments UK Ltd.
Phone: +44 1606 781 420
sales@flexim.co.uk

FLEXIM Middle East
Phone: +971 4430 5114
salesme@flexim.com

FLEXIM India
Phone: +91 98114 49285
salesindia@flexim.com

FLEXIM Instruments Asia Pte Ltd.
Phone: +65 67 94 53 25
salessg@flexim.com

FLEXIM Instruments China
Phone: +86 21 64 95 75 20
shanghai@flexim.com

FLEXIM S.A, Chile
Phone: +56 22 32 03 62 80
info@flexim.cl

**FLEXIM Service and Support Center
South America, Argentina**
Phone: +54 11 49 20 71 00
flexim@escoarg.com.ar
www.escoarg.com.ar

FLEXIM AMERICAS Corporation, USA
Phone: +1 63 14 92 23 00
salesus@flexim.com



www.flexim.com